

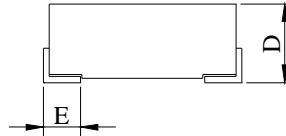
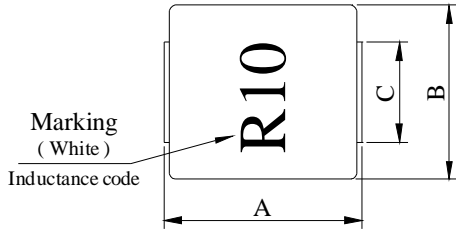
SPECIFICATION FOR APPROVAL

REF : 20090825-C

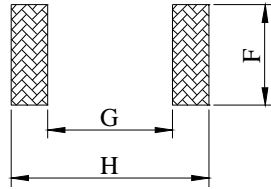
PAGE: 1

PROD. NAME	SHIELDED SMD POWER INDUCTOR	ABC'S DWG No. ABC'S ITEM No.	HP0603□□□□2□-□□□
---------------	--------------------------------	---------------------------------	------------------

I . MECHANICAL DIMENSIONS :

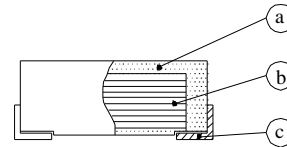
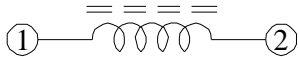


- A : 7.20 ± 0.3 m/m
- B : 6.50 ± 0.2 m/m
- C : 3.00 ± 0.3 m/m
- D : 3.00 max. m/m
- E : 1.70 ± 0.5 m/m
- F : 3.40 typ. m/m
- G : 3.70 typ. m/m
- H : 7.40 typ. m/m



(PCB Pattern)

II . SCHEMATIC DIAGRAM :



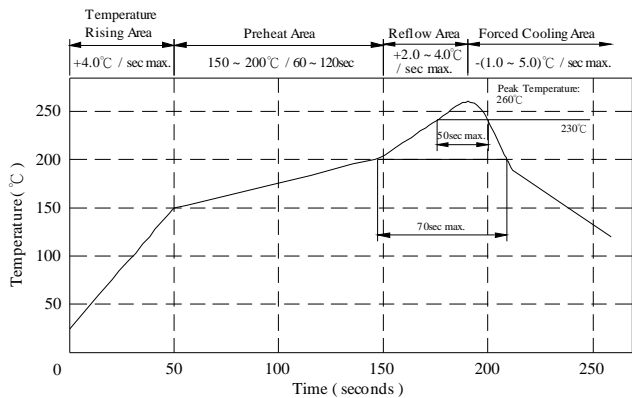
III . MATERIALS LIST :

- a . Core : Iron powder
- b . Wire : Enamelled copper wire
- c . Cilp : Cu / Ni / Sn
- d . Remark : Products comply with RoHS' requirements

IV . GENERAL SPECIFICATION :

- a . Storage temp. : -55°C ~ +125°C
- b . Operating temp. : -55°C ~ +125°C
(Temp. rise included)
- c . Resistance to solder heat : 260°C . 10 secs.

Peak Temp : 260°C max.
Max time above 230°C : 50sec max.
Max time above 200°C : 70sec max.



AR-001A

SPECIFICATION FOR APPROVAL

REF : 20090825-C

PAGE: 2

PROD. NAME	SHIELDED SMD POWER INDUCTOR	ABC'S DWG No.	HP0603□□□□2□-□□□
		ABC'S ITEM No.	

V . ELECTRICAL CHARACTERISTICS :

DWG No.	Inductance L (μ H)	Isat(A) typ	Irms(A) typ	RDC ($m\Omega$)	
				max.	typ.
HP0603R10M2□-□□□	0.10 \pm 20 %	60.0	32.0	2.0	1.5
HP0603R15M2□-□□□	0.15 \pm 20 %	52.0	26.0	2.5	2.0
HP0603R22M2□-□□□	0.22 \pm 20 %	40.0	23.0	3.0	2.5
HP0603R33M2□-□□□	0.33 \pm 20 %	30.0	20.0	4.0	3.5
HP0603R47M2□-□□□	0.47 \pm 20 %	26.0	17.0	4.5	4.0
HP0603R56M2□-□□□	0.56 \pm 20 %	19.0	16.0	5.5	5.0
HP0603R68M2□-□□□	0.68 \pm 20 %	25.0	15.0	5.5	5.0
HP0603R82M2□-□□□	0.82 \pm 20 %	24.0	13.0	8.0	7.0
HP06031R0M2□-□□□	1.00 \pm 20 %	22.0	11.0	10.0	9.0
HP06031R5M2□-□□□	1.50 \pm 20 %	18.0	9.0	15.0	14.0
HP06032R2M2□-□□□	2.20 \pm 20 %	14.0	8.0	20.0	18.0
HP06033R3M2□-□□□	3.30 \pm 20 %	13.5	6.0	30.0	28.0
HP06034R7M2□-□□□	4.70 \pm 20 %	10.0	5.5	40.0	37.0
HP06036R8M2□-□□□	6.80 \pm 20 %	8.0	4.5	60.0	54.0
HP06038R2M2□-□□□	8.20 \pm 20 %	7.5	4.0	68.0	64.0
HP0603100M2□-□□□	10.0 \pm 20 %	7.0	3.0	105.0	102.0

- 1). □ : Packaging information ... **[A]**: Bulk **[B]**: Taping Reel
- 2). "-□□□":Reference code
- 3). Measured frequency of inductance is 100 KHz / 0.25V
- 4). Isat base on inductance drop 20% typ. of L value at 20°C
- 5). Irms base on temp. rise 40°C typ.

AR-001A



SPECIFICATION FOR APPROVAL

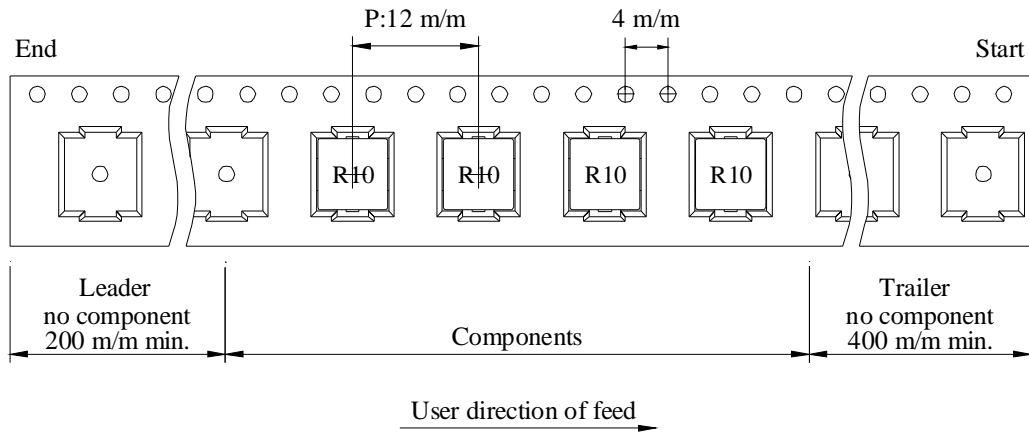
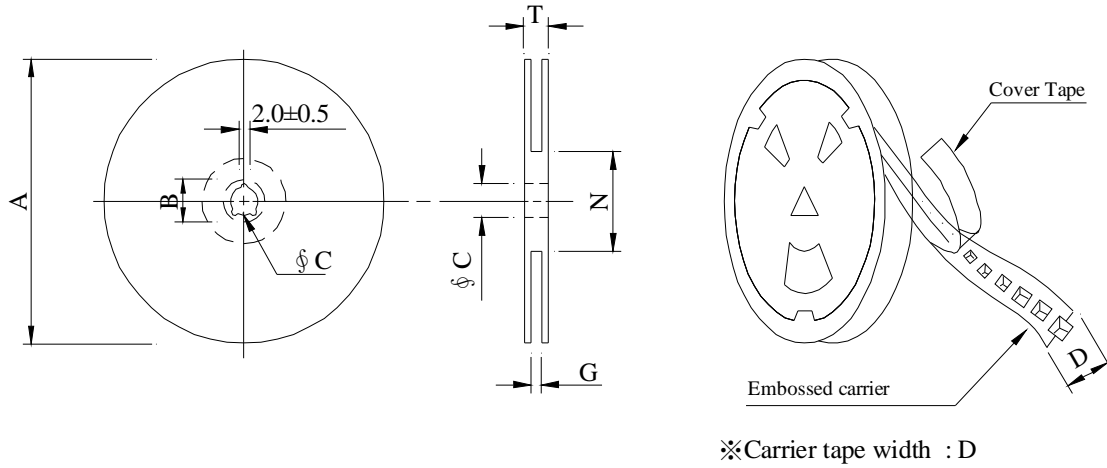
REF : 20090825-C

PAGE: 3

PROD. NAME	SHIELDED SMD POWER INDUCTOR	ABC'S DWG No.	HP0603□□□□2□-□□□
		ABC'S ITEM No.	

VI . PACKAGING INFORMATION :

(1) Configuration



(2) Dimensions

Unit:m/m

Style	A	B	C	D	G	N	T
13 - 16	330	21±0.8	13±0.5	16	18 ⁺⁰	50 ⁻⁰	22.4

(3) Q'TY & G.W. Per package

Series	Inner : Reel			Outer : Carton		
	Q'TY (pcs)	G.W. (gw)	Style	Q'TY (pcs)	G.W. (Kg)	Size (cm)
HP0603	1,500	1,250	13 - 16	9,000	8.00	40 x 40 x 24

AR-001A

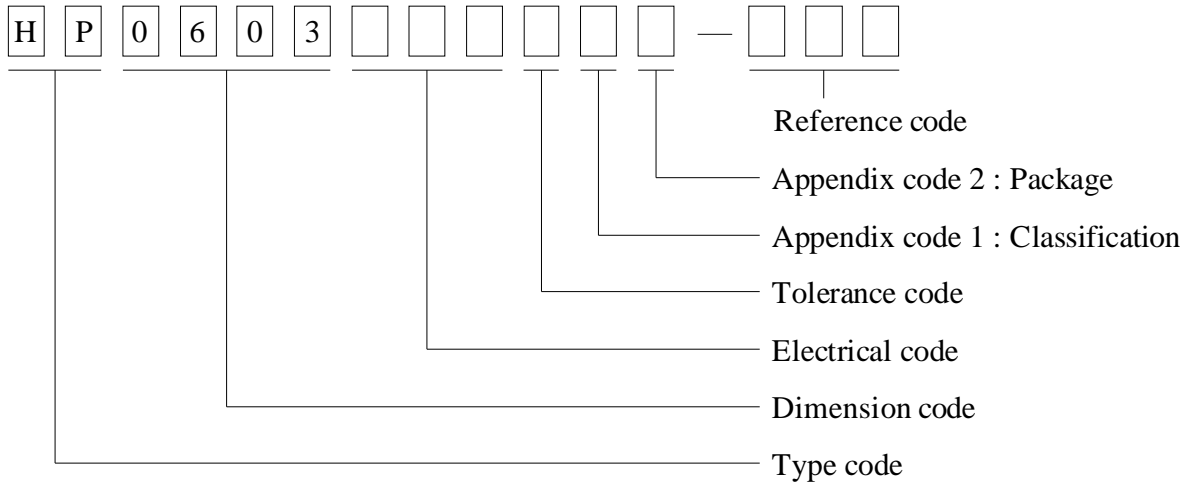
SPECIFICATION FOR APPROVAL

REF : 20090825-C

PAGE: 4

PROD. NAME	SHIELDED SMD POWER INDUCTOR	ABC'S DWG No.	HP0603□□□□2□-□□□
		ABC'S ITEM No.	

VII . DWGING NUMBER EXPRESSION :



Appendix code 1 : Product Classification

- L : Lead Free Standard products comply with RoHS' requirements
- 1 ~ 9 : Lead Free Special products comply with RoHS' requirements

Appendix code 2 : Package Information

Code	Inner package	Inner package Q'TY	Remark
A	T.B.D.	T.B.D	
B	T / R (Reel package)	1500 pcs	

SPECIFICATION FOR APPROVAL

REF : 20090825-C

PAGE: 5

PROD.	SHIELDED SMD	ABC'S DWG No.	HP0603□□□□2□-□□□
NAME	POWER INDUCTOR	ABC'S ITEM No.	

VIII . RELIABILITY TEST :

Test item	Specification	Test condition						
Solderability	More than 95% of the terminal electrode shall be covered With fresh solder.	Preconditioning: 150°C/16Hrs±30min Dry Bake Solder : Sn96.5 / Ag3 / Cu0.5 or equivalent Solder temp. :245±5°C Flux : Rosin Dip time: 5±0.5sec						
Thermal shock test (Temp. cycle)	Electrical oharacteristics shall not change more than ±20%	<table style="width: 100%; border: none;"> <tr> <td style="text-align: center;">Room temp. 15 minutes</td> <td style="text-align: center;">→</td> <td style="text-align: center;">-55 °C 30 minutes</td> </tr> <tr> <td style="text-align: center;">Room temp. 15 minutes</td> <td style="text-align: center;">→</td> <td style="text-align: center;">+125 °C 30 minutes</td> </tr> </table> <p>Total : 50 cycles</p>	Room temp. 15 minutes	→	-55 °C 30 minutes	Room temp. 15 minutes	→	+125 °C 30 minutes
Room temp. 15 minutes		→	-55 °C 30 minutes					
Room temp. 15 minutes		→	+125 °C 30 minutes					
Humidity Test		Temperature : 40±2°C Humidity : 90±5% Time : 1000 hours						
High temp. Resistance test	Temperature : 125±5°C Applied current : Per spec. Time : 96 hours							

AR-001A



SPECIFICATION FOR APPROVAL

REF : 20090825-C

PAGE: 6

PROD.	SHIELDED SMD	ABC'S DWG No.	HP0603□□□□2□-□□□
NAME	POWER INDUCTOR	ABC'S ITEM No.	

IX . UL CARD :

OBMW2 September 8, 2000
Magnet Wire-Component

JUNG SHING WIRE CO LTD E174837
231 CHUNG CHENG RD, SEC 3 JEN-TEH HSIANG, TAINAN
HSIEN TAIWAN

Mtl Dsg	Mark Dsg	BC	Coat Typ	OC	ANSI Type	Temp Class
AIW	---	Polyamideimide	---	---	MW81-C	220
CFUEWB	---	Polyurethane	---	---	MW75C	130
EIAIW	---	Polyesterimide	Polyamideimide	---	MW35C	200
EILOCKY	---	Polyesterimide	Polyamide	---	---	180
EILOCKW	---	Polyesterimide	Modified Epoxy	---	---	200
EIW	---	Polyesterimide	---	---	---	220
EIW-2	---	Polyesterimide	---	---	MW74-C	200
FL.EILOCKY	---	Modified Polyester	Polyamide	---	---	155
LSFFW	---	Polyurethane	---	---	MW79-C	155
LSUEW	---	Polyurethane	---	---	---	130
PEW	---	Polyester	---	---	---	155
PEY	---	Polyester	Nylon	---	MW24-C	155
SF.FLW	---	Modified Polyester	---	---	MW26C	155
SF.EIW	---	Polyesterimide	---	---	MW77C	180
SF.BY@	---	Modified Polyester	Nylon	---	MW27-C	155
SF.FLY@	---	Modified Polyester	Nylon	---	MW27-C	155
SF.BLOCKBS	---	Modified Polyester	Modified Polyamide	---	---	155
SF.EILOCKY#	---	Polyesterimide	Polyamide	---	---	180
SF.EILOCKBS	---	Polyesterimide	Modified Polyamide	---	---	180
SF.BW@	---	Modified Polyester	---	---	MW26C	155
SFFW	---	Polyurethane	---	---	MW79	155

A not-for-profit organization
dedicated to public safety and
committed to quality service

287806002 Page 1 of 2

Mtl Dsg	Mark Dsg	BC	Coat Typ	OC	ANSI Type	Temp Class
SFFY	---	Polyurethane	Polyamide	---	MW80C	155
UEW-1	---	Polyurethane	---	---	MW2-C	105
UEW-2	---	Polyurethane	---	---	---	130
UEW-4	---	Polyurethane	---	---	MW75C	130
UEY	---	Polyurethane	Nylon	---	MW28-C	130
UEY-2	---	Polyurethane	Polyamide	---	MW28-C	130

@-May be suffixed by LZ; # - May be suffixed by LZ, EL or LZL.
LZ - Signifies magnd wires twisted together; EL - signifies base coated magnet wire laid parallel with top coat applied overall; LZL - signi-
fies base coated magnet wire twisted together and covered with top coat overall.

Marking: Company name or trademarks **JSW** or 千如電, material designation or marked designation on packaed or reel, and
Recognize d Component Mark.

See General Information Preceding These Recognitions
For use only in equipment where the acceptability of the combination is determined by Underwriters Laboratories Inc.

287806002 Page 2 of 2 OBMW2/E174837
September 8 , 2000

AR-001A

